

# Original operating instructions

## Bike repair stand

Item no. 4008.00-XXXX

# KET-LIFT<sup>4BIKE</sup>



02/2025

Document number 4008.71-00EN Rev. E

B. Ketterer Söhne GmbH & Co. KG  
Bahnhofstraße 20  
78120 Furtwangen / Germany

Phone: +49(0)77 23 / 6569-10  
E-Mail: [info@ketterer.de](mailto:info@ketterer.de)  
Internet: [www.ketterer.de](http://www.ketterer.de)



© 2025 B. Ketterer Söhne GmbH & Co. KG • 78120 Furtwangen

All rights reserved, in particular the right of reproduction, distribution and translation. No part of this manual may be reproduced in any form or saved, processed, duplicated or distributed using electronic systems without the written consent of B. Ketterer Söhne GmbH & Co. KG.

Subject to technical and editorial changes.

<b>1</b>	<b>Introduction</b>	<b>1</b>
1.1	Content	1
1.2	Other applicable documents	1
1.3	Scope	1
1.4	Directives	2
1.5	Warnings and symbols used	2
<b>2</b>	<b>Safety</b>	<b>3</b>
2.1	Personnel - qualification and obligations	3
2.2	Obligations of the operator	3
2.3	General safety instructions	4
2.4	Use	6
	2.4.1 Intended use	6
	2.4.2 Foreseeable misuse	6
2.5	Residual risks	6
<b>3</b>	<b>Product description</b>	<b>7</b>
3.1	Variant electric	7
3.2	Variant manual	8
3.3	Technical data / operating conditions	9
<b>4</b>	<b>Transport / Unpacking / Storage</b>	<b>10</b>
<b>5</b>	<b>Assembly</b>	<b>12</b>
5.1	Setting up the repair stand	13
	5.1.1 Setting up with base plate	13
	5.1.2 Setting up without base plate	14
5.2	Installation of the hand switch	15
5.3	Mounting the foot switch (optional)	15
5.4	Mounting the VAR / FEEDBACK clamp	16
5.5	Mounting the ParkTool clamp	17
5.6	Mounting the 3-Point-Clamp Tip-Top	18
5.7	Compressed air connection	18
5.8	Electrical connection	19
5.9	Mounting the Crossbar (optional)	20
5.10	Mounting the swivel arm (optional)	21
<b>6</b>	<b>Initial Start-up</b>	<b>22</b>
6.1	Variant electric	22
6.2	Variant manual	22
<b>7</b>	<b>Operation</b>	<b>23</b>
7.1	Mounting the bike with the clamp	23
	7.1.1 Feedback Clamp	24
	7.1.2 VAR Clamp	24
	7.1.3 ParkTool Clamp	25
	7.1.4 3-Point Clamp	25
7.2	Control	26
	7.2.1 Control Variant electric	26
	7.2.2 Control Variant manual	27
<b>8</b>	<b>Maintenance</b>	<b>28</b>
<b>9</b>	<b>Disposal</b>	<b>29</b>
<b>10</b>	<b>Service / Repair</b>	<b>29</b>
<b>11</b>	<b>Troubleshooting</b>	<b>30</b>
<b>12</b>	<b>Annex</b>	<b>31</b>
	<b>EC - Declaration of Conformity</b>	<b>32</b>

# 1 Introduction

## 1.1 Content

These operating instructions describe the safe use of the bike repair stand Ket-Lift4Bike, in the following briefly “repair stand”. It contains important safety instructions that must be observed.

The operating instructions must be made available to all persons who work on and with the repair stand.

The operating instructions must always be complete and in a clearly readable condition.



**Please read these operating instructions carefully and observe the safety instructions!**

**Depending on the design or modification status of the product, differences may occur compared to these operating instructions.**

## 1.2 Other applicable documents

Installation instructions HILTI HSA bolt anchor

Document number: PUB / 5222425 / 000 / 03

## 1.3 Scope

These instructions apply to the bike repair stand Ket-Lift4Bike with the Item no. 4008.00-XXXX.

## 1.4 Directives

The bike repair stand complies with the following EC directives:

Variant electric:

- 2006/42/EC (MD)
- 2011/65/EU (RoHS)
- 2014/30/EU (EMC)

Variant manual:

- 2006/42/EC (MD)

## 1.5 Warnings and symbols used

In these assembly instructions, the following danger levels are used, which include the possible dangerous situations and important safety instructions:



**DANGER!**

Dangerous situation resulting in death.



**WARNING!**

Potentially dangerous situation resulting in death or serious, irreversible injuries.



**CAUTION!**

Dangerous situation with minor or moderate injuries.



**INFO!**

Possible harmful situation with damage to the product or the environment.

## 2 Safety



**Read the safety instructions and information on safe handling in these assembly instructions carefully before starting work.**

**Keep these operating instructions in a safe place and pass them on to others if necessary.**

**It is very important for your safety that you understand and follow all the safety information.**

**Non-observance of the safety instructions can lead to danger to the life and health of persons and to considerable damage to property.**

### 2.1 Personnel - qualification and obligations



#### **Information**

All handling activities with the repair stand may only be performed by authorized and qualified persons.

#### **The competent and qualified persons must:**

- be familiar with the applicable accident prevention regulations and safety instructions in the technical documentation and be able to apply them.
- have been trained and instructed in accordance with the rules of behaviour in the event of a malfunction.
- have the physical and mental capabilities to handle the repair stand safely.

### 2.2 Obligations of the operator

Every person who works with the repair stand has a responsibility for their own safety and health.

- Make sure that only authorized and qualified persons handle the repair stand!
- Avoid unsafe and dangerous working practices!
- Have maintenance and safety checks performed only by qualified persons or the manufacturer.

## 2.3 General safety instructions

Observe the following general safety instructions during all activities using the KetLift4Bike:



**DANGER!**

**Risk of electric shock due to damaged live electrical equipment.**

**(Applies only to electric variant!)**

- Do not perform any activities if the electrical equipment is damaged.



**DANGER!**

**Electrical hazard due to liquids entering the repair stand.**

**(Applies only to electric variant!)**

- Avoid liquids getting into the repair stand.



**WARNING!**

**Danger of being pulled in, caught or gripped by the rotary motion of the spindle drive system.**

- Do not interfere with moving parts during operation.



**WARNING!**

**Danger of parts falling over or down.**

- Ensure that the bike stand is standing stable.



**WARNING!**

**Risk of crushing and impact due to the lifting movement.**

- Make sure that there are no living beings or objects in the danger zone of the repair stand.
- Do not grab onto the KetLift4Bike during operation.



**WARNING!**

**Risk of breakage due to incorrect installation or non-observance of the operating data.**

- Observe all safety instructions and information in these operating instructions during installation, start-up and operation.



**WARNING!**

**Danger from a falling bike in case of incorrect attachment.**

- Observe all instructions for securely fastening the bike to the repair stand.



**CAUTION!**

**Risk of cut injuries from dangerous surfaces.**

- Wear suitable protective gloves.



**CAUTION!**

**Risk of tripping and falling due to the base plate and the transport rollers.**

- Pay attention to the risk of tripping due to the step on the base plate and the transport rollers.



***(Applies only to electric variant!)***

In dangerous situations, immediately press the emergency stop button by pressing the red pushbutton.

After pressing the emergency stop button, the repair stand is electrically disconnected and all movements are safely switched off.

Before resetting the emergency stop button, the reason for the hazardous situation must be eliminated. To reset the emergency stop button, turn the pushbutton to the left or right until it jumps back.



***(Applies only to electric variant!)***

When cleaning a bike on the assembly stand, avoid liquids getting into the housing, electrical equipment or the accessory power sockets.

Avoid cleaning under high pressure, e.g. using a water hose or high-pressure cleaner.

The guide and spindle drive system as well as the accessory power sockets, the hand switch or the foot switch can be damaged by liquids getting into them.

If liquids enter electrical equipment, there is a risk of an electrical short circuit or malfunction.



***(Applies only to electric variant!)***

To avoid damage to the device and the bike, observe the automatic collision detection function - DriveBack in the chapter "Operation".



***(Applies to all variants!)***

When using the repair stand with the base plate and without further fixation, the stability factor is  $> 2$ .

To increase the stability, secure the base plate in the ground with the enclosed bolt anchors. Make sure that the anchors are installed correctly.

When working on the bike in the highest position, no more than 10 kg of pressure should be applied to the bike to prevent the bike stand from falling over.



## 2.4 Use

### 2.4.1 Intended use

The electrically operated bike stand is designed to raise and lower bikes and e-bikes with a mass of up to 50 kg (depending on the installed clamp) via its integrated motorized spindle drive system. The manual version can be operated via a suitable cordless screwdriver.

The mounting clamps and holders offered as accessories are approved for safe use by the manufacturer. Other accessories can be used at the user's own risk and responsibility.

### 2.4.2 Foreseeable misuse

In case of misapplication, Ketterer is not liable for property damage, personal injury or possible consequential damage.

Misapplications can be:

- Disregard of the permitted operating data and instructions for use.
- Use in outdoor areas.
- Disregard of the mounting instructions.
- Lifting and lowering objects other than a bike (e.g. living beings).
- Use as a cleaning station for bikes using a water hose or high-pressure cleaner.

## 2.5 Residual risks

Despite all actions taken to integrate safety in the design, the safety devices and the supplementary safety instructions, residual risks cannot be completely eliminated.

You can reduce residual risks by observing the safety instructions and the intended use.

Residual risks can be:

- Risk of cuts on dangerous surfaces.
- Risk of tripping and falling due to the base plate and the transport rollers.
- Risk of crushing or impact due to the lifting motion.
- Danger due to uncontrolled movements of the bike when releasing the clamping lever.
- Danger due to lack of maintenance or failure to carry out maintenance work as well as mechanical and electrical inspections.
- Danger due to unsecured parts during transport.

### 3 Product description

#### 3.1 Variant electric



The electric bike repair stand Ket-Lift4Bike uses a powerful electric spindle drive system that can lift bikes with a mass up to 50 kg (depending on the installed clamp) to an ergonomic and safe working height.

#### Standard scope of delivery:

- Lifting unit with:
  - Hand switch
  - 2 230 V Schuko sockets
  - 1 USB-socket
  - 1 compressed air connection NW7.2
  - 2-way air switch with coupling sockets



#### Available accessories:

Description	Item no.
Base plate with 2 transport rollers and 4 rubber feet	4000.35-0002
Crossbar with 2 sliding hooks	4000.38-0001
Swivel arm	4000.19-0002
Clamp FEEDBACK incl. flange	4000.00-0010
Clamp VAR incl. flange	4000.00-0020
Clamp Park Tool	4000.00-0030
Clamp Tip-Top incl. fixing material	4000.00-0040
Footswitch	4000.47-0002

### 3.2 Variant manual



The manually operated bike repair stand consists of a robust spindle system which, with the help of a cordless screwdriver, can lift bikes with a mass of up to 50 kg (depending on the installed clamp) to an ergonomic and safe working height.

#### Standard scope of delivery:




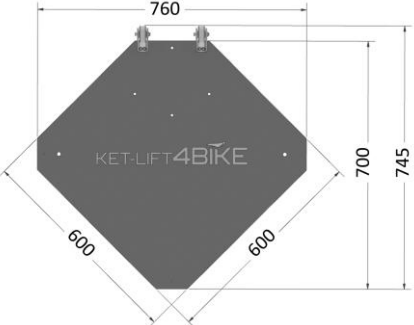
- 1x Lifting unit  
(Cordless screwdriver NOT! Included in delivery)



#### Available accessories:

Description	Item no.
Base plate with 2 transport rollers and 4 rubber feet	4000.35-0002
Crossbar with 2 sliding hooks	4000.38-0001
Swivel arm	4000.19-0002
Clamp FEEDBACK incl. flange	4000.00-0010
Clamp VAR incl. flange	4000.00-0020
Clamp Park Tool	4000.00-0030
Clamp Tip-Top incl. fixing material	4000.00-0040

### 3.3 Technical data / operating conditions

Feature	Variant electric 	Variant manual 
Dimensions with Base plate without Base plate	351 mm / 230 mm / 1,895 mm 760 mm / 745 mm / 1,920 mm	351 mm / 230 mm / 1,815 mm 760 mm / 745 mm / 1,840 mm
Width with Crossbar (optional)  Max. length swivel arm (optional)	 <p style="text-align: right;">1,210 mm 820 mm</p>	
Dimensions Base plate	 <p style="text-align: center;">760 700 600 600 745</p>	
Tare weight with Base plate without Base plate	approx. 38 kg approx. 79 kg	approx. 35 kg approx. 75 kg
Max. Travel Minimum height Maximum height	ca. 1,444 mm ca. 421 mm (446 mm) ca. 1,865 mm (1,890 mm)	ca. 1,462 mm ca. 411 mm (436 mm) ca. 1,873 mm (1,898 mm)
Max. Loads Clamp Swivel arm Carabine	VAR 50 kg; Feedback 39 kg, ParkTool 45 kg, Tip-Top 35 kg 5 kg 5 kg	
Max. Lifting speed	80 mm/s	2,18 mm/U
Operating mode; Duty cycle	Jog mode; 1 min ON / 5 min OFF	max. 1,000 rpm & 5 Nm
Temperature range Humidity	+ 0°C up to + 40°C max. 90% rF 20°C	+ 0°C up to + 40°C max. 90% rF 20°C
Protection class	IP 00	IP 00
Supply Voltage	230 V AC, 1 L, N, PE, 50 Hz	-
Mains cable	Protective contact cable, 3,5 m	-
Accessory sockets	230 V AC; 1 L, N, PE; 50 Hz; 16 A	-
USB-Ports	2 Type-A; 5 V / 2.1 A DC	-
Max. pressure (compressed air)	6 bar	-

## 4 Transport / Unpacking / Storage



Observe the general safety instructions (2.3)!



**Danger from falling or tipping parts.**

- Do not stay in the danger zone of loads.
- Always lift the bike stand with a second person.

**WARNING!!**

### Transport:

- During transport, the repair stand must be protected from dust, shocks and moisture.
- Keep the repair stand within the temperature range of - 25°C to + 55°C during transport.
- Lift heavy parts only with the help of a second person or use a suitable lifting device.
- Never lift the repair stand by the flange for the mounting clamp.
- Remove or secure all moving parts before moving the repair stand.
- To move the repair stand, hold it by the two handles.  
Note: Tilting the repair stand during moving produces a force of approx. 22 kg.

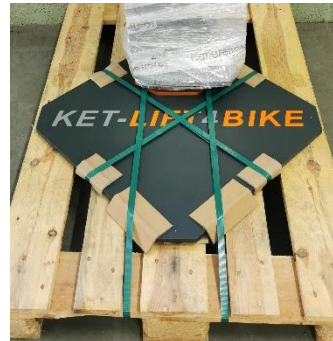
### Unpacking:

General instructions:

- Only move the unassembled repair stand with a second person or suitable lifting equipment.
- Do not use sharp objects to remove the packaging.
- Remove all packaging components completely.
- Dispose of all packaging components in accordance with the disposal regulations applicable in the country of use.
- Leave the repair stand flat on the ground until you set it up.

**Version with base plate:**

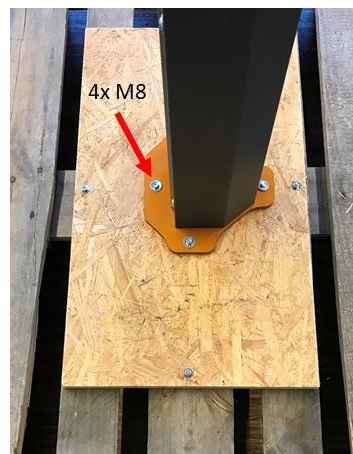
- Remove the packing strap and always lift the bike assembly stand from the pallet with a second person or a suitable lifting device.

**WARNING!****Danger due to the repair stand falling over before installation.**

- Do not stay in the danger zone of loads.
- Always secure the repair stand with a second person or a suitable lifting device to prevent it from tipping over.

**Version without base plate:**

- Loosen the 4xM8 screws on the base repair stand. A second person must secure the repair stand against falling over.

**Storage:**

- Protect the repair stand from dust, shock and moisture during storage.
- Keep a temperature range of - 15°C to + 70°C and a humidity of max. 70% rH during storage.

## 5 Assembly



Observe the general safety instructions (2.3)!



**Danger of electric shock due to incorrect installation or damage to live electrical equipment. (Applies only to electric variant!)**

- Carry out the mechanical assembly before the electrical connection.
- Check all electrical equipment for damage before the electrical connection.
- Before the electrical connection, check whether the voltage supply is suitable and protected by a differential current circuit breaker (RCD) with a rated current of 30 mA.

**DANGER!**



**Danger of falling objects.**

- Do not stay in the danger zone of loads.
- Always lift heavy components with a second person or with suitable lifting equipment.
- Observe the assembly instructions.
- Use suitable personal protective equipment such as protective gloves and safety shoes during assembly.

**WARNING!**

### Preparatory activities:

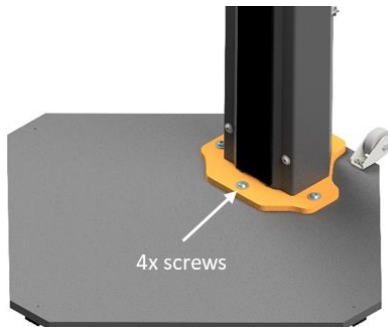
- Inspect the repair stand for damage to the exterior of the mechanical and electrical components.
- Remove all packaging components.
- Select a firm, stable and level surface for the repair stand.

## 5.1 Setting up the repair stand

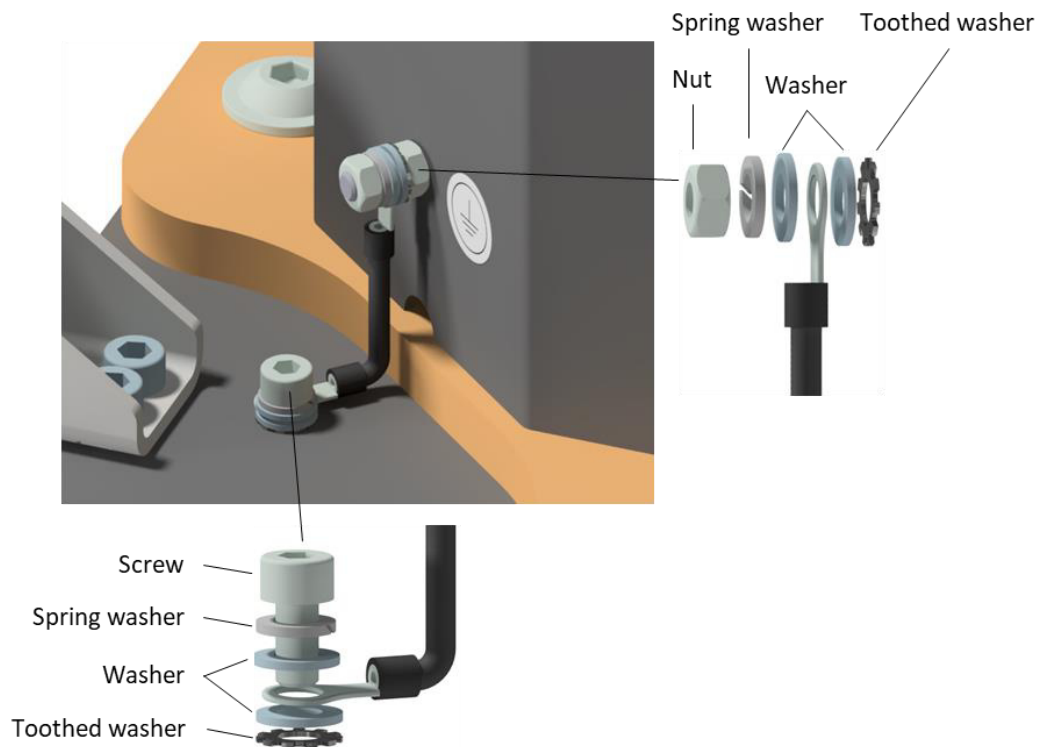


There is a risk of falling over when the repair stand is set up. Set up the repair stand with at least two persons

### 5.1.1 Setting up with base plate

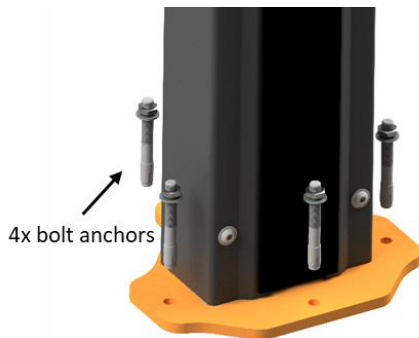


- Depending on the version ordered, the base plate with 2 transport rollers and 5 rubber feet is already preassembled.
- Select an installation place with a level, solid surface.
- If it is necessary to install the base plate, place the lifting column on the base plate with a second person and screw it down with the enclosed M10x25 screws. Tightening torque: 40 Nm.
- Connect the enclosed grounding strap with the appropriate fastening material. The connection is made as shown in the illustration below.





### 5.1.2 Setting up without base plate



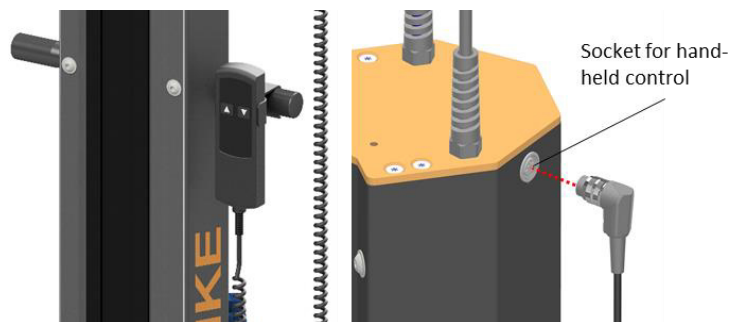
- Select an installation place with level, non-cracked concrete floor C 20/25 or up to C 50/60.
- Use only the enclosed 4 bolt anchors HSA M10x83.
- Two people are required to mark the borehole pattern, one person must ensure that the repair stand is standing securely. The second person draws the 4 mounting holes on your desired set-up position.
- Before drilling, be sure to double-check the correct dimensions of the marked drilling pattern using the drawing in the annex.
- Observe the attached installation instructions (PUB / 5222425 / 000 / 03) for safe installation of the bolt anchors.
- Drill 4 holes with  $\varnothing$  10 mm and a depth of 55 mm.
- Clean the holes.
- Carefully insert the bolt anchors into the hole using a hammer.
- Check whether the bolt anchors are in contact with the base plate.
- Tighten the nuts firmly. Tightening torque: 25 Nm.

## 5.2 Installation of the hand switch

*(Applies only to electric variant!)*

Connect the hand switch to the repair stand:

- Connect the plug of the connecting cable of the hand switch to the designated socket at the **top** of the repair stand and tighten the fastening nut only slightly.
- The hand switch may only be connected in the **upper** socket.
- The hand switch can be hooked onto the handles using the integrated holder.

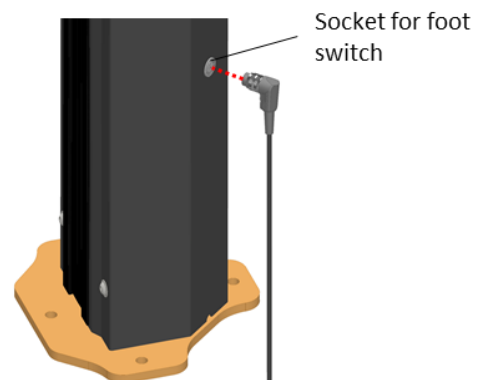


## 5.3 Mounting the foot switch (optional)

*(Applies only to electric variant!)*

Connect the foot switch to the repair stand:

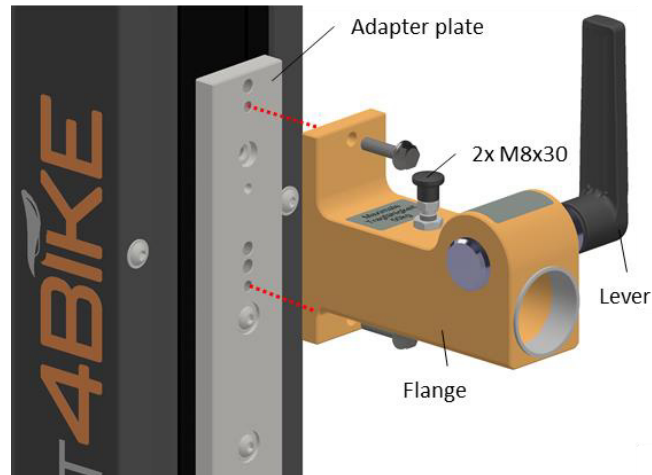
- Connect the plug of the connecting cable of the foot switch to the provided socket at the **bottom** of the bike stand and tighten the fastening nut only slightly.
- The foot switch may only be connected in the **lower** socket.



## 5.4 Mounting the VAR / FEEDBACK clamp

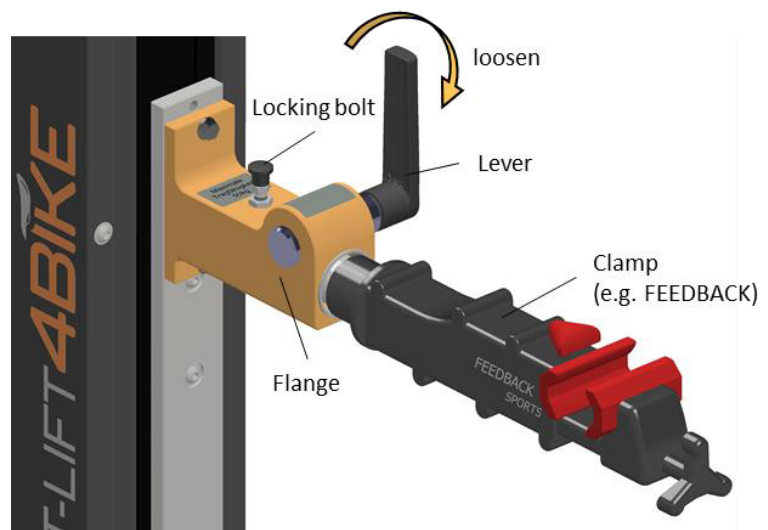
First, mount the flange onto the adapter plate:

- Screw the flange onto the adapter plate using the two DIN 6921 M8x20 screws supplied. Tightening torque: 20 Nm.



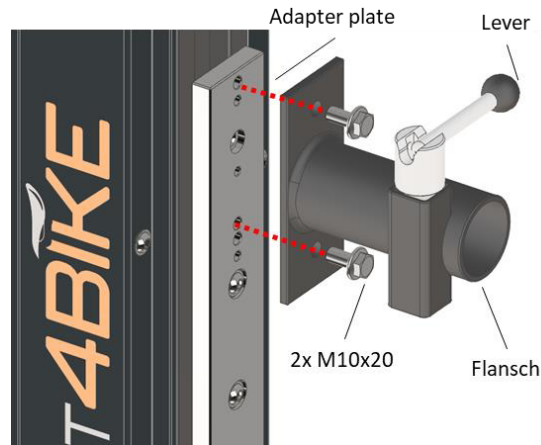
Insert the clamp into the flange:

- Loosen the lever by turning it in the front direction (see arrow).
- Push the clamp into the flange as far as it will go. The locking bolt must click audibly ("click") into place!
- Check for tight fit by pulling the clamp.
- Tighten the lever.

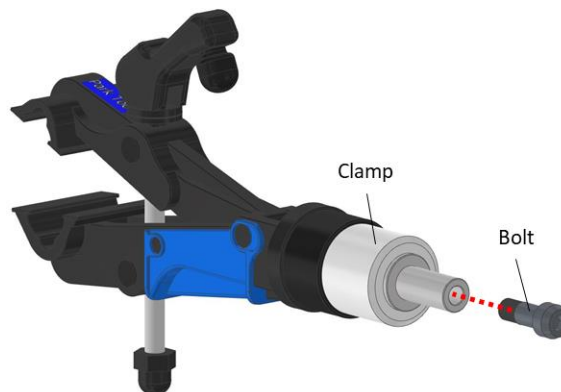


## 5.5 Mounting the ParkTool clamp

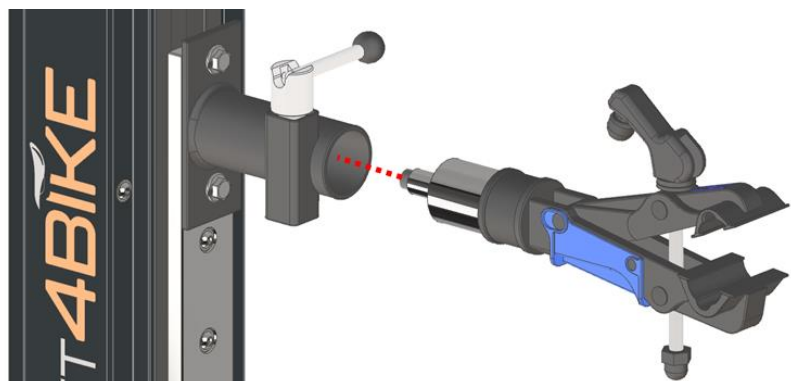
- Mount the clamp so that the clamping lever points upwards! Otherwise, the clamp could fall down.
- Screw the flange onto the adapter plate using the two DIN 6921 M10x20 screws supplied. Tightening torque: 40 Nm.



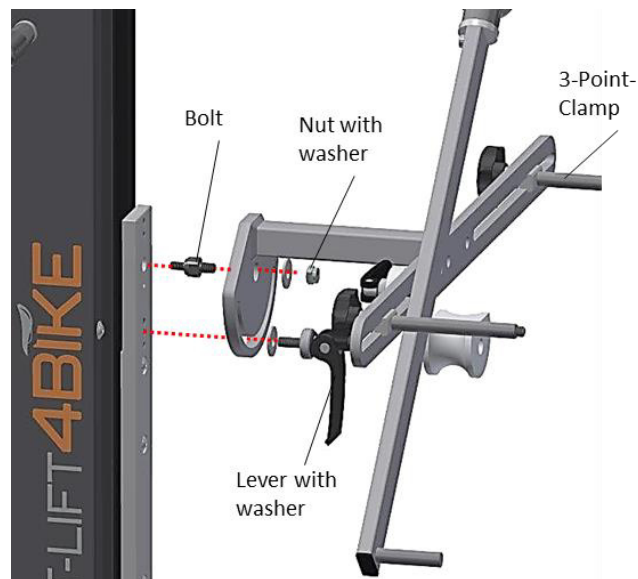
- Screw the enclosed bolt into the clamp. Fasten the bolt hand - tight.



- Slide the clamp into the flange. You may need to unscrew the clamping lever slightly to be able to push the clamp in. Then tighten the clamping lever to secure the clamp.



## 5.6 Mounting the 3-Point-Clamp Tip-Top



Mount the 3-point clamp directly onto the adapter plate:

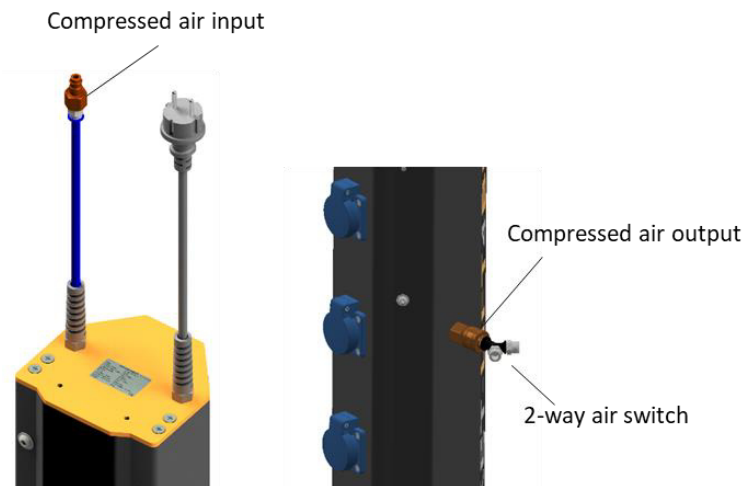
- Screw the bolt into the adapter plate. Tightening torque: 20 Nm.
- Push the 3-point clamp onto the bolt and hold it firmly.
- Mount the nut with washer on the bolt. Tighten the nut and then loosen it again by about ¼ turn. This allows the holder to turn.
- Mount the lever with washer.

## 5.7 Compressed air connection

***(Applies only to electric variant!)***

Observe the following instructions when connecting your compressed air equipment:

- The compressed air connection may only be connected by authorized persons.
- Connect your compressed air source to the repair stand.
- Maximum working pressure: 6 bar.



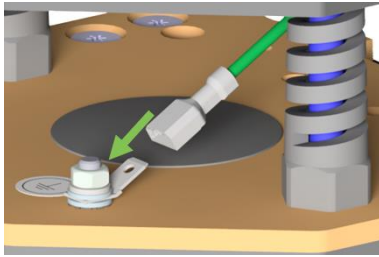
- Connect your compressed air tool to the compressed air outlet on the repair stand.
- Only connect the compressed air connection to the compressed air tool via a quick-release coupling.
- Regulate the working pressure setting with a pressure reducer.

## 5.8 Electrical connection

### *(Applies only to electric variant!)*

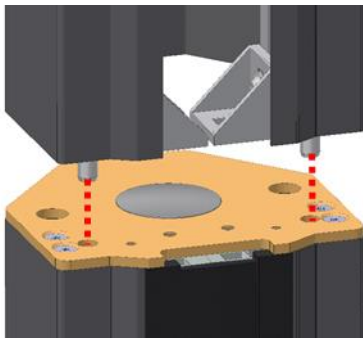
- Check the mains voltage before connection to ensure that it complies with the manufacturer's specifications.
- Make sure that the power supply is protected by fuses and a differential current circuit breaker (RCD) with a nominal current of 30 mA.
- Plug the power supply cable into a suitable socket.

## 5.9 Mounting the Crossbar (optional)



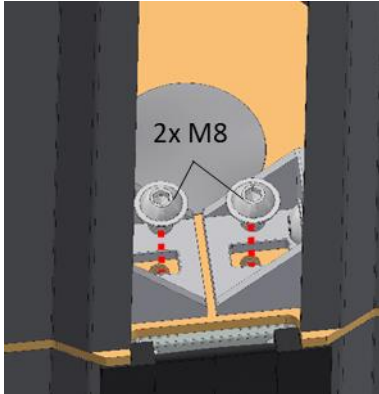
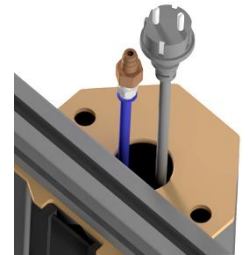
Perform the following steps for mounting the crossbar:

- **With the help of a second person, lift the crossbar onto the top of the KetLift4Box. Connect the ground cable by plugging the spade connector onto the blade terminal. Check that the spade connector is secure. (Only applies to the electrical version!)**

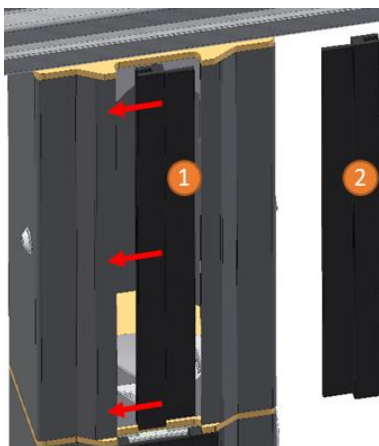


- Place the crossbar with the bolts in the corresponding holes on the top of the lifting column. Make sure that you have a secure footing and do not drop the crossbar.
- The crossbar must sit level on the plate.

- Guide the power supply cable and the compressed air tube through the large hole in the upper cover plate inside the profile. **(Only applies to the electric version!)**



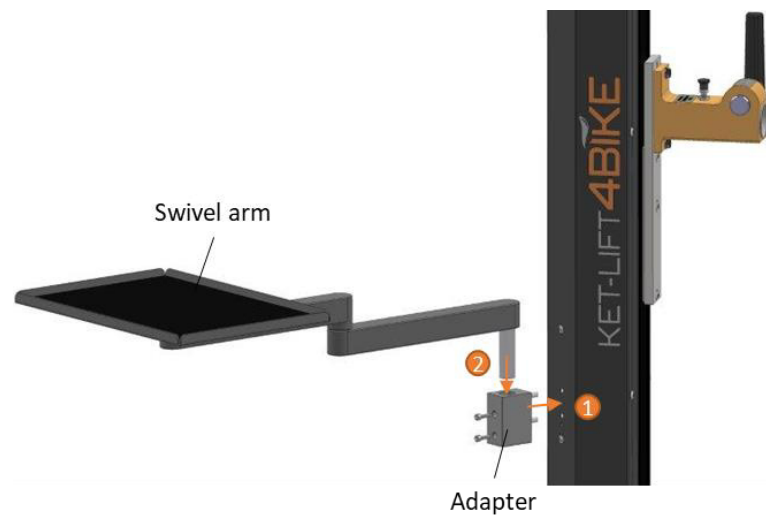
- Screw the crossbar tight with the two M8 screws supplied.



- Press the two brush sealings onto the profile one after the other.
- Press the brush sealings onto the profile all the way down.

## 5.10 Mounting the swivel arm (optional)

- Screw the tool tray adapter to the side of the repair stand using the two M6x80 screws supplied.  
Tightening torque: 5 Nm.
- Plug the tool tray or the swivel arm onto the adapter.





## 6 Initial Start-up



Observe the general safety instructions (2.3)!



**Danger due to incorrect assembly or function.**

- Do not stay in the danger zone of the repair stand.
- Carry out an unloaded cycle for initial start-up.

**WARNING!**

### 6.1 Variant electric

**Initial start-up activities:**

- Before initial start-up, make sure that all mechanical and electrical installation work has been carried out correctly.
- Before start-up, check that all packaging components have been removed.
- Check the function of the emergency stop. It must not be possible to move the repair stand after the emergency stop has been pressed.
- Do not start-up the machine if the emergency stop is faulty and contact the manufacturer.
- Travel to the lowest position with the hand switch by pressing the "Down" key.

The lifting movement is automatically stopped when the lower end position is reached.

- Then move to the top position with the hand switch by pressing the "Up" key

The lifting movement is automatically stopped when the upper end position is reached.

### 6.2 Variant manual

**Initial start-up activities:**

- Before initial start-up, make sure that all mechanical installation work has been carried out correctly.
- Check that all packaging components have been removed.
- For initial start-up, perform a complete lifting movement up and down, without load. Use a suitable cordless screwdriver and the supplied 6ktSW7 shaft.

## 7 Operation



Observe the general safety instructions (2.3)!

### 7.1 Mounting the bike with the clamp



Observe the maximum load capacity of the clamp used.



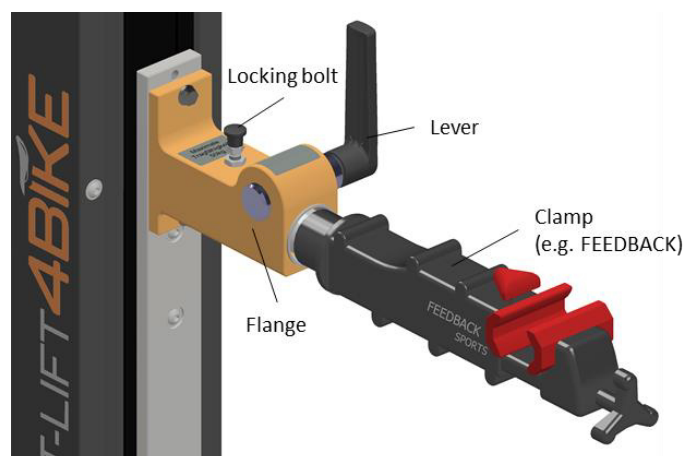
Ensure that the bike is firmly fixed in the clamp at all times. A loose fit can lead to injuries and material damage.



If you release the lever with the bike mounted, you must hold it with one hand to prevent the bike from turning. Depending on the weight of the bike, a dangerous momentum is created.

#### Preparatory activities:

- Place the bike in front of the repair stand and adjust the clamp to an appropriate height.
- Loosen the lever on the flange to adjust the angle of the clamp to the mounting position on the bike frame.
- Tighten the lever on the flange.



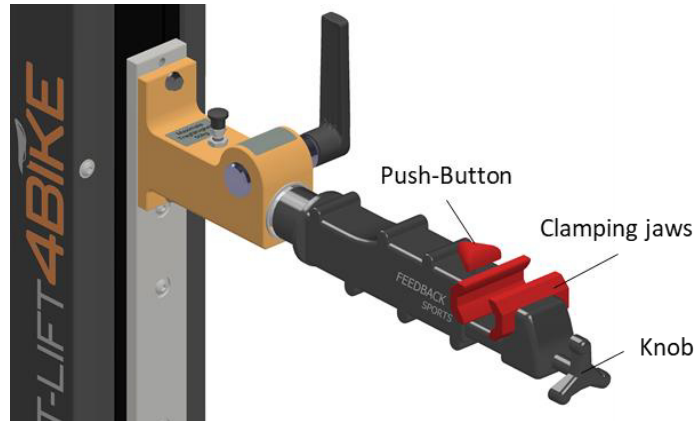
### 7.1.1 Feedback Clamp



**Caution!** Before pressing the push button, the knob must be slightly loosened, otherwise the opening mechanism will be damaged! The clamping jaws immediately open completely when the push button is pressed. This can cause the bike to fall out of the clamp.



Max. 39 KG

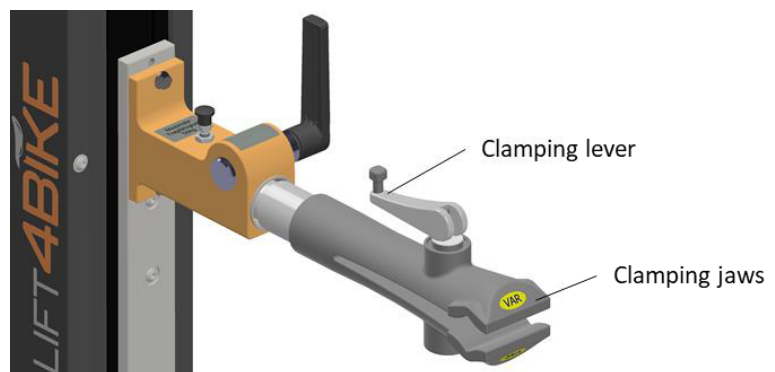


- Open the clamp jaws via the push button and hang in the bike with the seatpost or frame in the clamp jaws and push them together. Choose a point close to the center of gravity of the bike.
- Secure the bike by tightening the knob.

### 7.1.2 VAR Clamp

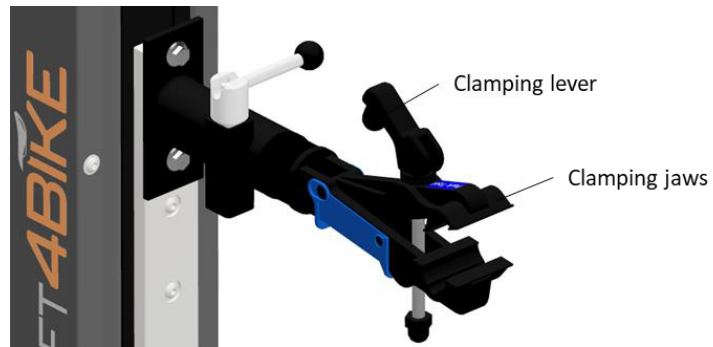
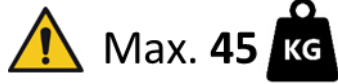


Max. 50 KG



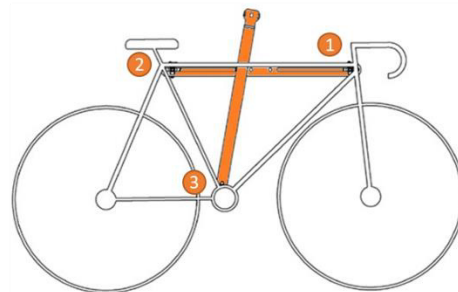
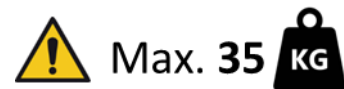
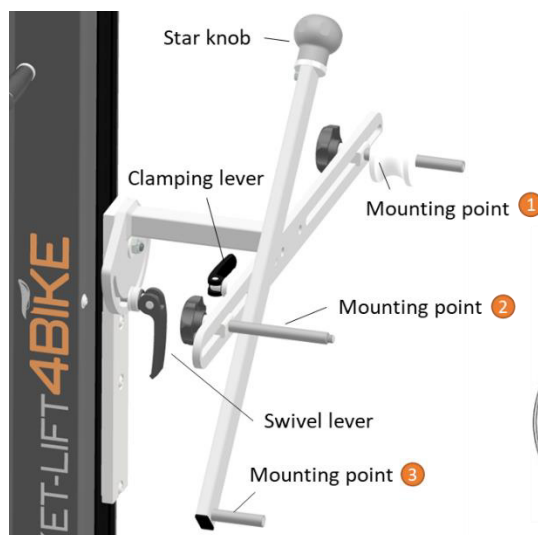
- Open the clamping jaws by turning the clamp lever and hang the bike with seatpost or frame. Clamp the bike by turning and flipping the clamping lever. Choose a point close to the center of gravity of the bike.
- Clamp the bike by turning and flipping the clamping lever.

### 7.1.3 ParkTool Clamp



- Open the clamping jaws by turning the clamp lever and hang the bike with seatpost or frame. Clamp the bike by turning and flipping the clamping lever. Choose a point close to the center of gravity of the bike.
- Clamp the bike by turning and flipping the clamping lever.

### 7.1.4 3-Point Clamp



- Adjust the 3 mounting points roughly to the geometry of the bike.
- Push mounting point 1 all the way out and fix the position with the star knob.
- Hook the bike into the clamp.
- Push mounting point 2 outwards so far that the frame is clamped without clearance. Secure the bike by tightening the star knob.
- Release the clamping lever and tighten the mounting point 3 by moving the ball handle between the seat tube and down tube.
- Secure the bike by turning the clamping lever over.
- You can swivel the bike by loosening the swivel lever.

## 7.2 Control

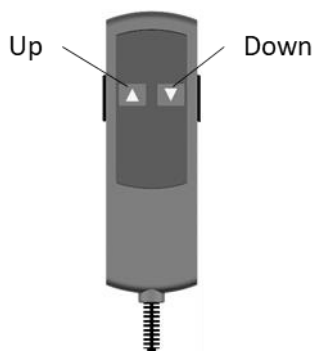


Observe the general safety instructions (2.3)!

### 7.2.1 Control Variant electric

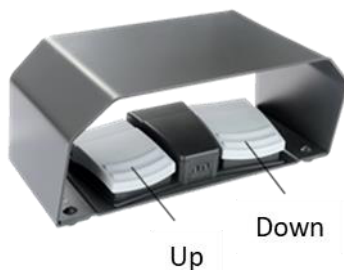


If the hand switch and foot switch are connected together, make sure that both operating devices are not used at the same time.



#### Control via the hand switch

- Move the bicycle up or down by holding the button on the hand switch. The movement stops after releasing the button.
- Stop the movement before the bicycle touches the ground.
- You can hang the hand switch on the handlebars or at a suitable position on the bike while you are working. Make sure that the cable is not pinched or damaged.



#### Control via the foot switch:

- Move the bike up or down by pressing the respective button on the foot switch. The movement stops after the button is released.
- Stop the movement before the bicycle touches the ground.
- Be aware of the risk of tripping over the foot switch.

#### Automatic collision detection – DriveBack

If you cause a collision when moving the bicycle downwards, this will be detected automatically. The drive system stops immediately and automatically moves upwards by approx. 3 cm.

**The DriveBack function is triggered at a force of approx. 30 kg ± 5 kg.**

**Please avoid collisions despite the automatic detection. The service life of the drive system and your bike, especially carbon frames, can be negatively affected by collisions.**

### Notes on using the accessory sockets

The repair stand has two protective contact sockets and two USB sockets type-A.

- Maximum total power of all consumers 3.000 W.
- Electrical cables must not be placed in traffic areas and must not be damaged by the lifting movements of the repair stand.
- Never let any liquids enter the sockets.

### Notes on the use of the compressed air

- Observe the safety instructions in these operating instructions and the respective manufacturer's instructions for the safe use of the compressed air equipment.

## 7.2.2 Control Variant manual



- Use the 6ktSW7 shaft included in the scope of delivery in combination with a suitable cordless screwdriver (max. 1000 rpm, 5 Nm).
- Clamp the shaft firmly in the cordless screwdriver.
- Insert the shaft into the input socket and actuate the cordless screwdriver. Pay attention to the maximum speed of 1,000 rpm and a maximum torque of 5 Nm!



- When lifting upwards, make sure that you stop the movement as soon as the mark on the base plate of the fastening clamp reaches the arrow on the label.
- Note that there is no collision detection for the manual variant. The downward lifting motion must be stopped before the bike touches the ground. Otherwise, damage to the seat post/frame etc. of the bike is possible.

## 8 Maintenance



Observe the general safety instructions (2.3)!



**DANGER!**

### Risk of electric shock from live electrical equipment.

- All electrical tests and maintenance may only be performed by a qualified electrician in accordance with generally accepted electrical engineering standards.









**WARNING!**

### Danger of unexpected start-up due to unauthorized restart during maintenance.

- Secure the repair stand against unauthorized restarting and unauthorized control.

### Notes on maintenance:

- Maintenance work may only be carried out by qualified and trained persons.

Variant	Subject	Periods	inspections
	Complete device	Before any use	Check for visible mechanical or electrical damage.
	Fastening the base plate (optional)	Every 3 months	Check the tight fit of the anchoring of the base plate.
	Smooth running (load free)	Every 3 months	Perform a complete stroke with the cordless screwdriver and check the smooth running of the spindle drive.
	End position (load free)	Every 3 months	Approaching the lower end position: Switch-off at approx. 415 mm. Approaching the upper end position: Switch-off at approx. 1.865 mm.
	Emergency stop (load free)	Every 3 months	Check of the function of the emergency stop button by actuation and unlocking.
	Electrical equipment Ordinance on Industrial Safety and Health	Observe the regulations on the operation of electrical equipment in the country of use.	

## 9 Disposal



Observe the general safety instructions (2.3)!



For efficient and resource-saving recycling, remove the following components (if installed) before disposal and recycle them in the best possible way:

- Base plate
- Swivel arm
- cross member
- Mounting clamp

The disposal of the repair stand (mechanical and electrical machine parts, operating materials) is subject to the local disposal regulations and the environmental protection laws in the country of use.

Do not dispose any components of the repair stand with household waste.

## 10 Service / Repair



In case of service, repair or spare part orders, please contact the manufacturer:



B. Ketterer Söhne GmbH & Co. KG  
Bahnhofstraße 20  
78120 Furtwangen / Germany

Phone: +49(0)77 23 / 6569 - 10  
E-Mail: [info@ketterer.de](mailto:info@ketterer.de)  
Internet: [www.ketterer.de](http://www.ketterer.de)



## 11 Troubleshooting



Observe the general safety instructions (2.3)!



**DANGER!**

**Risk of electric shock due to live electrical equipment.  
(Only applies to the electric version!)**

- Have all electrical maintenance and tests performed by a qualified electrician only.

Malfunction	Possible cause	Possible Solution
Repair stand cannot be moved	Voltage supply missing	Connect and check power supply
	Emergency stop activated	Reset emergency stop
	Fuse in the Power distribution has triggered	Switch on automatic circuit breaker again
	Power supply line is damaged	Maintenance by a qualified electrician
	Mechanical blockage	Switch off, de-energize, remove mechanical blockage
	Mains voltage missing	Check mains voltage, restore power supply
	Motor is too hot e.g. duty cycle exceeded	Allow motor to cool down
Motor runs but the spindle does not move	Gear wheel or spindle damaged	Send repair stand for repair
Repair stand cannot lift the full load (50 kg)	Power supply damaged	Have mains power supply checked
	Motor damaged	Send repair stand for repair
Motor runs too slowly or not with full power	Power supply damaged	Have power supply checked



For all other malfunctions, please contact the manufacturer:

B. Ketterer Söhne GmbH & Co. KG  
Bahnhofstraße 20  
78120 Furtwangen

Phone: +49(0)77 23 / 6569 – 10

E-Mail: [info@ketterer.de](mailto:info@ketterer.de)

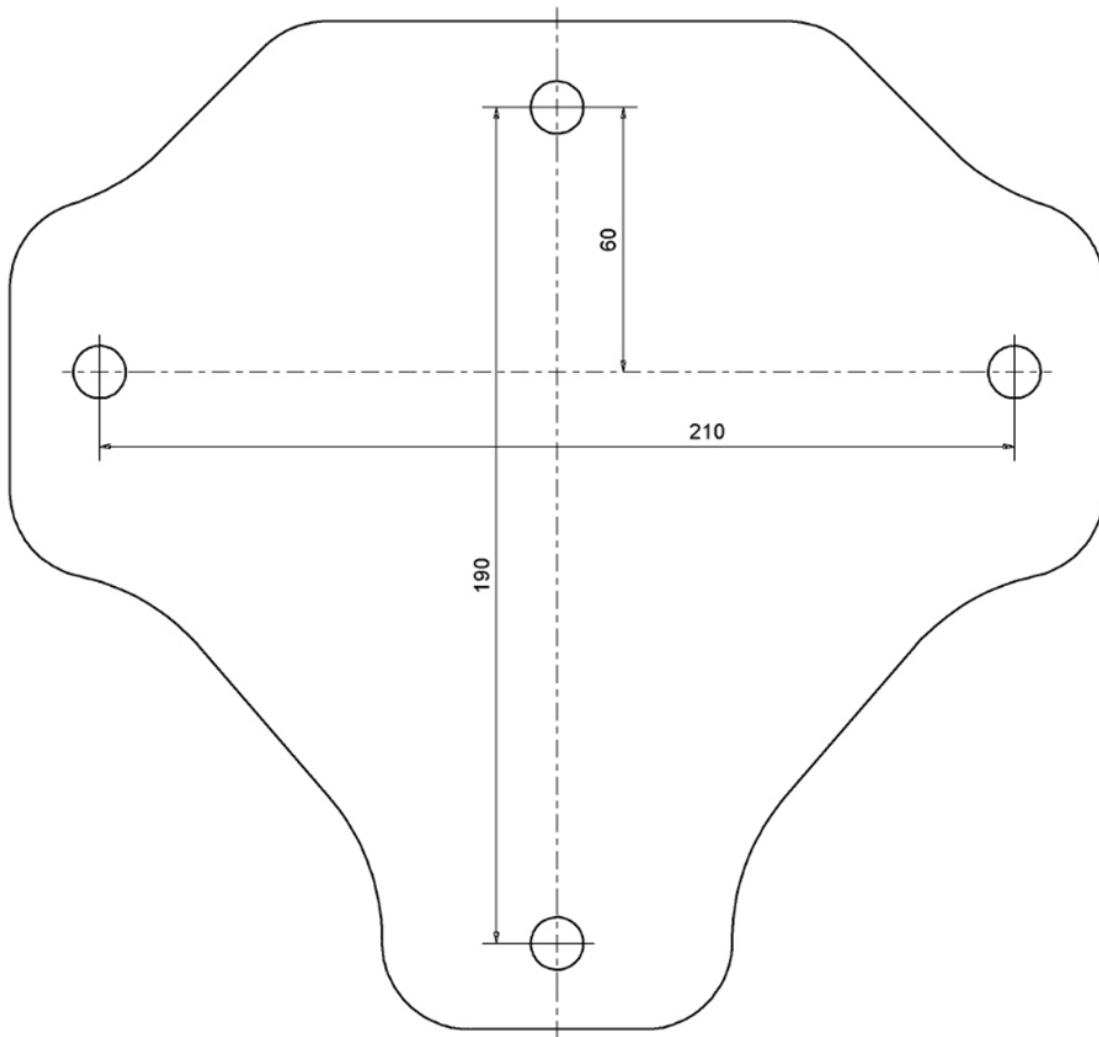
Please have the following information ready:

- Nameplate data
- Type and extent of malfunction

## 12 Annex

- **Drilling pattern of the base plate**

Use this drawing of the base plate to check your marked drilling pattern (drawing not true to scale).



## EC - Declaration of Conformity

**Manufacturer /  
Distributor**

B. Ketterer Söhne GmbH & Co. KG  
Bahnhofstrasse 20  
78120 Furtwangen



The sole responsibility for issuing this declaration of conformity lies with the manufacturer.

### **„Bike repair stand - KetLift4Bike“ 4008.00-xxxx**

**We hereby declare that the above-mentioned item, in the version placed on the market by us, complies with the regulations of the following European directives:**

2006/42/EC	Machinery Directive
2014/30/EU	Electromagnetic compatibility
2011/65/EU	RoHS

**The following harmonized standards were used:**

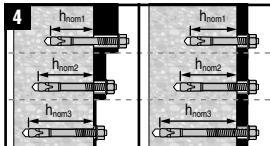
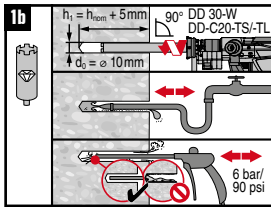
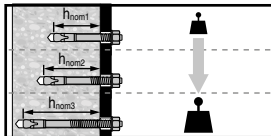
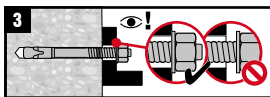
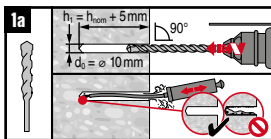
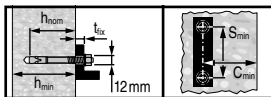
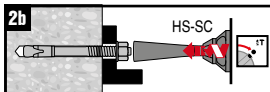
DIN EN ISO 12100:2011-03	Safety of machinery - General principles for design - Risk assessment and risk reduction
DIN EN 60204-32:2009-03	Safety of machinery - Electrical equipment of machines - Part 32: Requirements for hoisting machines
DIN EN 1494:2009-05	Mobile or movable jacks and associated lifting equipment

Furtwangen, 05.10.2023

  
-----  
Robert Jäger, Managing Director

	HSA	HSA-BW	HSA-R	HSA-R2
M10 5/-/-	✓	✓	✓	✓
M10 20/10/-	✓	✓	✓	✓
M10 35/25/-	✓	✓	✓	✓
M10 50/40/10	✓	-	✓	-
M10 70/60/30	✓	-	✓	-
M10 90/80/50	✓	-	✓	-
M10 105/95/65	✓	-	-	-

HSA	1	2	3
$h_{nom}$ [mm]	50	60	90
$h_{min}$ [mm]	100	120	160
$S_{min}$ [mm]	50	50	50
$C_{min}$ [mm]	50	40	40



HSA	$t_{ax1}$ [mm]	$t_{ax2}$ [mm]	$t_{ax3}$ [mm]
M10 5/-/-	5	-	-
M10 20/10/-	20	10	-
M10 35/25/-	35	25	-
M10 50/40/10	50	40	10
M10 70/60/30	70	60	30
M10 90/80/50	90	80	50
M10 105/95/65	105	95	65

